

# EP Series Universal Voltage Photoelectric Sensor

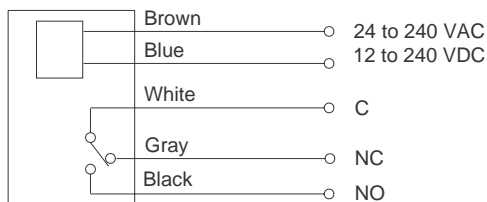
## Specifications

Type	EP Series Universal Voltage Photoelectric Sensor		
	Diffuse Reflective	Retro-Reflective	
	General Purpose	Polarized *	Transparent Object Detection *
Model Number	<b>OS1K-EP-R-J</b>	<b>OR10KF-EP-R-J</b>	<b>OR1KT-EP-R-J</b>
Sensing Range	1 meter	10 meters	1.2 meters
Hysteresis	< 10 %		
Repeatability	< 5 %		
Supply Voltage	24 ~ 240 VAC / 12 ~ 240 VDC incl. 10% ripple		
Current Consumption	< 2 VA		
Max. Switching Freq.	55 Hz		
Control Output	SPDT Relay contact, 3 A @ 250 VAC / 220 VDC Max.		
Response Time	< 20 msec.		
Min. Detectable Object	> 10 mm		> 20 mm
Light Source	IR LED	Red LED	IR LED
Sensitivity Adjustment	3/4 turn adjustment potentiometer		
Indicators	Output LED		
Conformity	CE		
Ambient Temperature	-25° to +60°C		
IP Protection	IP 66		
Material	Housing: PBT, Lens: Acrylic		



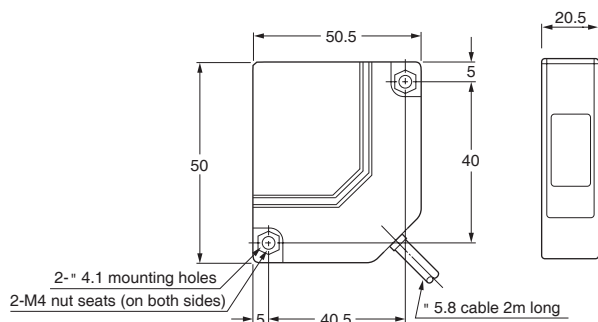
\* Does not include reflector. Must be ordered separately.

## Electrical Connection



## Dimensions (Unit: mm)

### EP Series



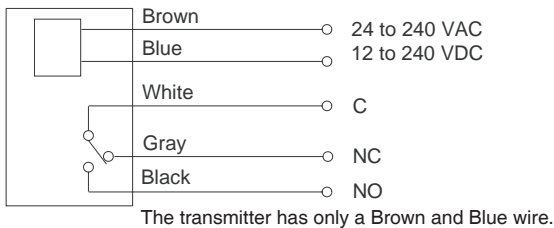
# EP Series Universal Voltage Photoelectric Sensor

## Specifications

Type	EP Series Universal Voltage Photoelectric Sensor			
	Thru-beam			
	Transmitter	Receiver	Transmitter	Receiver
Model Number	<b>TO10K-EP-ADC</b>	<b>RO10K-EP-R-J</b>	<b>TO30K-EP-ADC</b>	<b>RO30K-EP-R-J</b>
Sensing Range	10 meters		30 meters	
Hysteresis	< 10 %			
Repeatability	< 5 %			
Supply Voltage	24 ~ 240 VAC / 12 ~ 240 VDC incl. 10% ripple			
Current Consumption	< 2 VA			
Max. Switching Freq.	55 Hz			
Control Output	SPDT Relay contact, 3 A @ 250 VAC / 220 VDC Max.			
Response Time	< 20 msec.			
Min. Detectable Object	> 10 mm		> 20 mm	
Light Source	IR LED	-----	IR LED	-----
Sensitivity Adjustment	3/4 turn adjustment potentiometer			
Indicators	Output LED			
Conformity	CE			
Ambient Temperature	-25 <sup>o</sup> to +60 <sup>o</sup> C			
IP Protection	IP 66			
Material	Housing: PBT, Lens: Acrylic			



## Electrical Connection



## Dimensions (Unit: mm)

### EP Series

