

RETRO-REFLECTIVE SENSOR

PRT Series

Transparent Object Detection Sensor



Long sensing distance

The PRT-080-Q8 has a maximum sensing distance of 800 mm.

NPN and PNP outputs

Both NPN and PNP outputs are standard on the sensor.

Quick connect standard

An 8mm connector is standard with the sensor.

Alignment indicator

There is an alignment indicator built into the sensor to assist in the alignment and setup.

CE/UL approval

Conforms to Europe's EMC Directive and has UL recognition for use in the U.S.

Transparent object detection

The PRT-080-Q8 is a polarized retro-reflective sensor. It can reliably detect a transparent object.

Selectable output operation

The output operation of the sensor can be selected to operate as either Light-On or Dark-On via a switch.

On or Off delay timer

There is an adjustable On or Off delay timer built-in. The time value can be set between 0 to 5 seconds.

Dirty optics indicator

The sensor has a dirty optics indicator to provide an indication that there is a problem and maintenance or cleaning is required.

Specifications

| Model Number | Transparent Object Detection Sensor |
|--------------------------|---|
| | PRT-080-Q8 |
| Sensing Distance | 0 ~ 800 mm |
| Supply Voltage | 10 ~ 30 VDC |
| Current Consumption | < 45 mA |
| Sensing Output | Both NPN and PNP open collector transistor operating simultaneously |
| Output Rating | 100 mA |
| Response time | < 500 microsecond |
| Output Operation | Light On / Dark On operation selectable by programming |
| Short Circuit Protection | Incorporated |
| Timer | Selectable On or Off delay timer - 0 to 5 seconds |
| Emitting Element | Visible Red LED |
| Operation Indicator | Signal,Timer and Alignment |
| Sensitivity Adjustment | Pushbutton |
| Ambient Temperature | 0 to 50°C |
| Protection | IP 67 |
| Housing | Plastic |
| Ratings | CE/UL |
| Accessories | 50 x 50 mm Reflector |

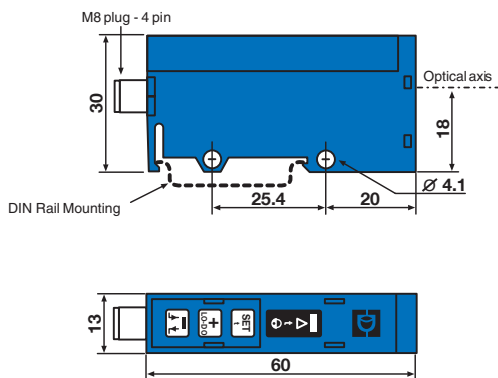
Note: The connecting cable is not included with the sensor, please order separately.

| Type | Cable Part Number | Length |
|------|-------------------|---------|
| Q8 | M8-FS4-PUR-2M | 2 Meter |
| | M8-FS4-PUR-5M | 5 Meter |

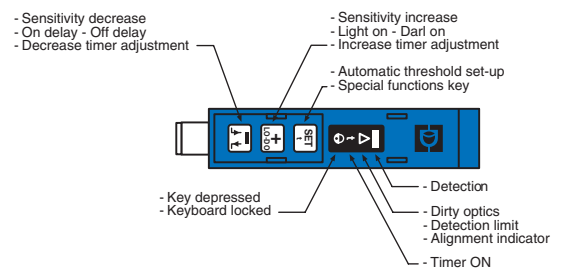
DIMENSIONS (Unit: mm)

PRT-080-Q8

Sensor



Setup and Adjustment



Wiring Connection Diagram

