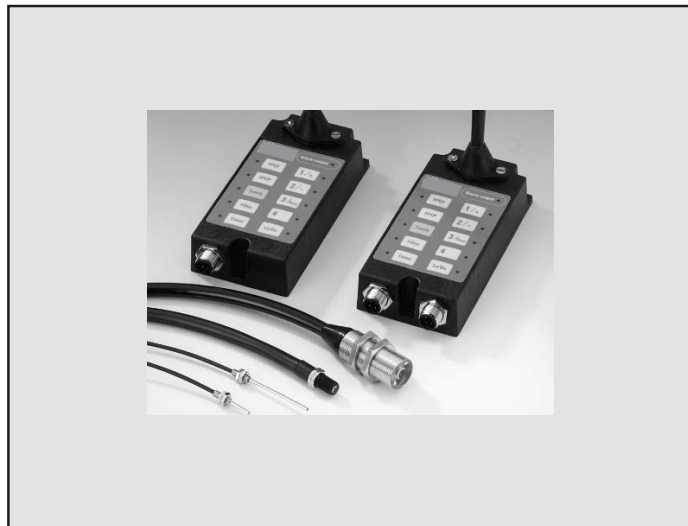


COLOR SENSOR

CS Series

Single and Four Channel Color Sensor



Fiber optic color sensor

There is a choice of six different fiber optic cables. Both fixed focus and variable distance options are available.

NPN and PNP outputs

Both NPN and PNP outputs are standard on the unit.

Selectable spot diameter

The projected spot diameter is either 1.5 mm or 6 mm depending upon the cable used.

Single and four channel models

The CS-11-DC24 is a single channel model, it can store one color setting. The CS-14-DC24 is a four channel sensor, it can store four different colors. Each channel has an output.

CE/UL approval

Conforms to Europe's EMC Directive and has UL recognition for use in the U.S.

Remote teach input

There is a remote teach input. This makes it possible to set the desired color for channel 1 remotely.

Selectable output operation

The output operation of the sensor can be selected to operate as Light-On or Dark-On via the LO/DO switch.

3 sensitivity choices

There is a choice of fine, medium or coarse sensitivity mode. This makes it possible to change the range of acceptable colors.

Three color LED light source

The sensor uses three different colored LED's (Red, Green and Blue) as the light source.

Quick connect standard

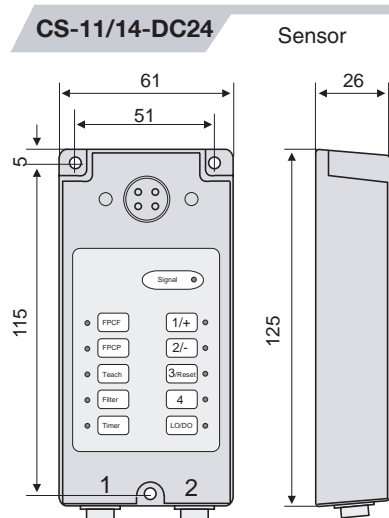
A 12mm connector is standard. The connecting cable is included with the sensor.



Specifications

Model Number	Color Sensor	
	CS-11-DC24 (Single channel)	CS-14-DC24 (Four channel)
Sensing Distance	Dependent upon the fiber cable used	
Supply Voltage	24 VDC	
Current Consumption	120 mA	
Sensing Output	Both NPN and PNP open collector transistor operating simultaneously	
Output Rating	100 mA	
Response time	1ms (FPCF), 20 ms (FPCP)	
Output Operation	Selectable Light On / Dark On operation	
Short Circuit Protection	Incorporated	
Timer	Selectable 0 to 5 second timed output	
Emitting Element	Three color (Red, Green, Blue) LED	
Operation Indicator	Signal, Timer, Filter, Cable and LO/DO	
Sensitivity Adjustment	Pushbutton setup	
Ambient Temperature	0 to 60°C	
Protection	IP 65	
Housing	Plastic	
Ratings	CE/UL	
Accessories Included	2 meter connection cable (CS-14 two cables)	

DIMENSIONS (Unit: mm)



All dimensions are in mm

The fiber cable that is used with the CS color sensor is not supplied with the sensor and must be ordered separately. Please see information below for choices that are available.

Model Number	Features	Spot Dia. (mm)	Sensing Range (mm)	Cable Length *	Selection Mode / Response Time
FPCF-1.5-18-1M	Focused Spot, Fine Detection Stationary Fiber Cable	1.5	16-20	1 meter	FPCF 1 ms
FPCF-1.5-5-1M	Close Range, Fine Detection Stationary Fiber Cable	1.5	6	1 meter	FPCF 1 ms
FPCF-3.0-3-1M	Close Range, Fine Detection Small Diameter Fiber Cable	3	2-4	1 meter	FPCF 1 ms
FPCF-3.0-3-1MB	Close Range, Fine Detection Small Diameter w/Bendable Tip	3	2-4	1 meter	FPCF 1 ms
FPCP-6.0-50-1M	Long Range Diffuse Stationary Fiber Cable	6	40 to 60	1 meter	FPCP 20 ms
FPUCF-1.5-18-1MF	Focused Spot Flexing Fiber Cable Application	1.5	16-20	1 meter	FPCF 1 ms
FPUCP-6.0-50-1MF	Long Range Diffuse Flexing Fiber Cable Application	6	40 to 60	1 meter	FPCP 20 ms

* 1 meter is the standard length, there is a shorter 600 mm cable available as special order. Custom length's can also be ordered

Wiring Connection Diagram

