

NPN to PNP Converter
With 12 VDC regulator

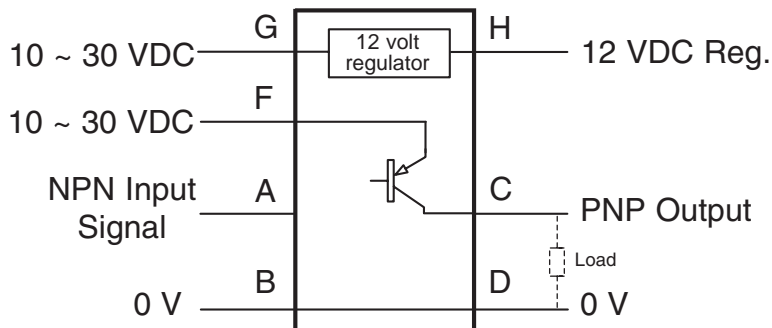
RCM-2

- Self contained module designed to convert a NPN sinking signal into a PNP sourcing signal.
- Regulated 12 VDC @ 250 mA is available to power external devices
- Supply Voltage : 10 to 30 VDC
- Converts the signal from one NPN device
- 100 mA maximum load current
- .5 millisecond response time
- Standard DIN rail mounting
- Temperature range 10 to 55° C

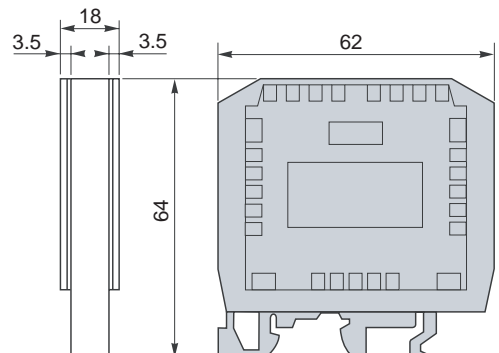


RCM-2 NPN to PNP Converter

Wiring Connection



Dimensions (mm)



All information is subject to change without prior notice.

Ramco Innovations
1207 Maple St. West Des Moines, IA 50265 USA
Phone: 515-225-6933 FAX: 515-225-0063