

Three Channel NPN
to PNP Converter

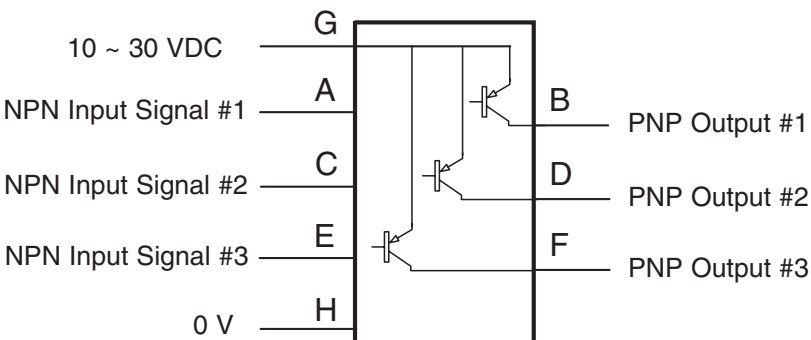
RCM-1X3

- Self contained module designed to convert a NPN sinking signal into a PNP sourcing signal.
- Supply Voltage : 10 to 30 VDC
- Converts the signal from three NPN devices
- 100 mA maximum load current
- .5 millisecond response time
- Standard DIN rail mounting
- Temperature range 10 to 55° C

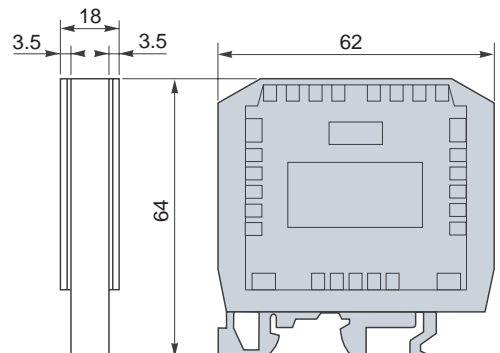


RCM-1X3 Three Channel
NPN to PNP Converter

Wiring Connection



Dimensions (mm)



All information is subject to change without prior notice.

Ramco Innovations
1207 Maple St. West Des Moines, IA 50265 USA
Phone: 515-225-6933 FAX: 515-225-0063

1-800-280-6933