

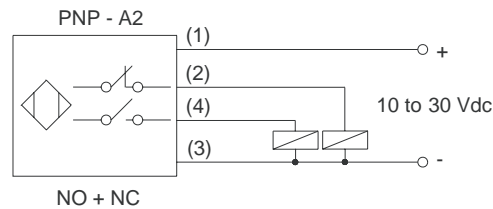
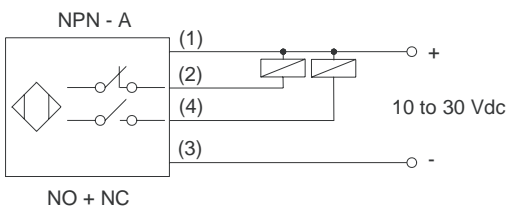
# Inductive Proximity Sensor Limit Switch Style Body

## Specifications

Type		Limit Switch Style Body Inductive Proximity Sensor	
		Shielded - Flush Mount	Non-shielded - Non-flush Mount
Model Number	NPN	<b>PS15+U2+A</b>	<b>PS40+U2+A</b>
	PNP	<b>PS15+U2+A2</b>	<b>PS40+U2+A2</b>
Sensing Range		15 mm	40 mm
Hysteresis		5 %	
Repeatability		< 0.01 mm	
Supply Voltage		10 ~ 30 VDC incl. 10% ripple	
Current Consumption		< 15 mA max.	
Max. Switching Freq.		300 Hz	150 Hz
Control Output		NPN or PNP Open Collector Transistor, 200 mA / 30 VDC Max.	
Operation Mode		Normally Open and Normally Closed	
Output Protection		Short circuit and Reverse polarity protection	
Sensitivity Adjustment		-----	
Indicators		Output LED	
Conformity		CE	
Ambient Temperature		-25° to +70°C	
IP Protection		IP67	
Connection		Screw terminal	
Threaded Cable Opening		1/2" NPT	
Material		Thermoplastic PBT/VO	

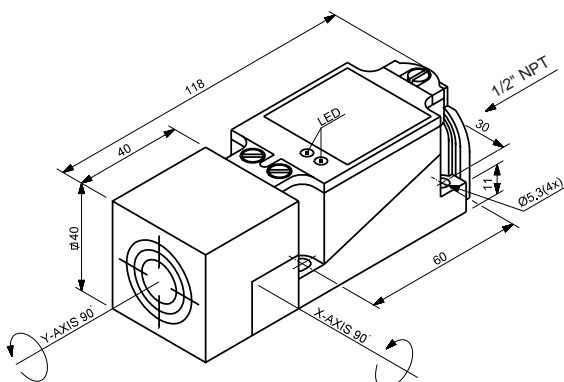


## Electrical Connection



### PS15+U2+A

Shielded



### PS40+U2+A

Non-Shielded

