

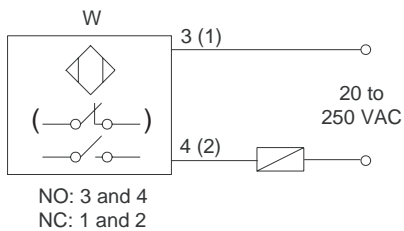
Inductive Proximity Sensor Limit Switch Style Body

Specifications

Type	Limit Switch Style Body Inductive Proximity Sensor	
	Shielded - Flush Mount	Non-shielded - Non-flush Mount
Model Number	PS15+U2+W	PS40+U2+W
	-----	-----
Sensing Range	15 mm	40 mm
Hysteresis	5 %	
Repeatability	< 0.01 mm	
Supply Voltage	20 ~ 250 VAC / 50 ~ 60 Hz	
Current Consumption	3 mA	
Max. Switching Freq.	5 Hz	
Max. Output Current	500 mA	
Operation Mode	Normally Open and Normally Closed	
Inrush Current	4 A	
Output Voltage Drop	< 5 V (load powered)	
Indicators	Output LED	
Conformity	CE	
Ambient Temperature	-25° to +70°C	
IP Protection	IP67	
Connection	Screw terminal	
Threaded Cable Opening	1/2" NPT	
Material	Thermoplastic PBT/VO	

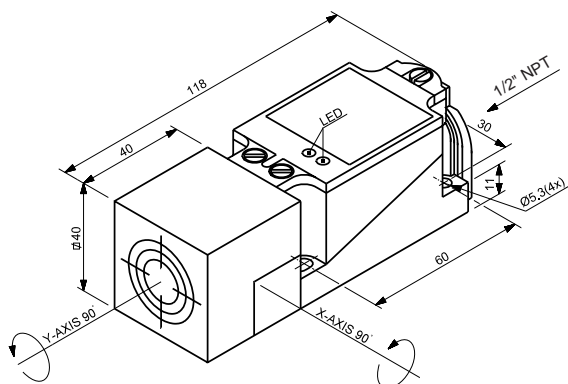


Electrical Connection



PS15+U2+W

Shielded



PS40+U2+W

Non-Shielded

