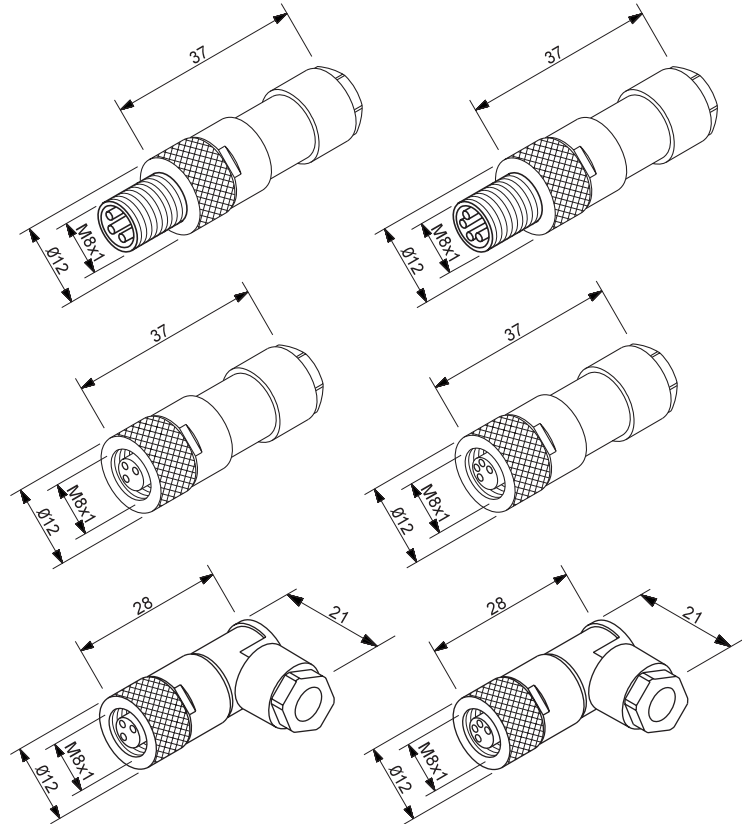


M8 Male and Female Connectors

View



Dimensional data



Technical Data

Housing: PVC
Protection: IP67

Catalog Number

Part-No		Poles	Face View	Type	Connection	Max. wire Diameter	Cable Diameter
Female	PL-V83A	3		Straight	Solder Cup	0.5 mm ²	3 to 5 mm
	PL-V83B			90 Degree			
Male	PLM-V83A			Straight			
Female	PL-V84A	4		Straight			
	PL-V84B			90 Degree			
Male	PLM-V84A			Straight			