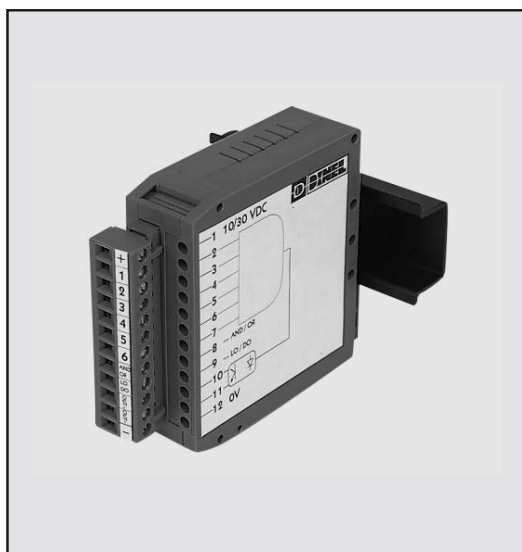


# MC 97

## AND / OR Logic Control Module



### And / Or Logic Module

The MC 97 can be set to operate as an "And" or an "Or" logic module.

### Accepts the signals from up to 6 devices

The MC 97 will accept the signals from up to six different sensors / devices.

### Compatible with PNP devices

The MC 97 is compatible for use with any device that has a PNP or dry contact output.

### NPN and PNP output

Both NPN and PNP outputs are standard on the module.

### DIN rail mount

The module is easily installed on DIN rail.

### Selectable output operation

The output operation of the module can be selected to operate as either Normally Open or Normally Closed.

### LED indicators

There are LED indicators to monitor the inputs as well as the output operation.

### Fast response

The response time is <50 microseconds.

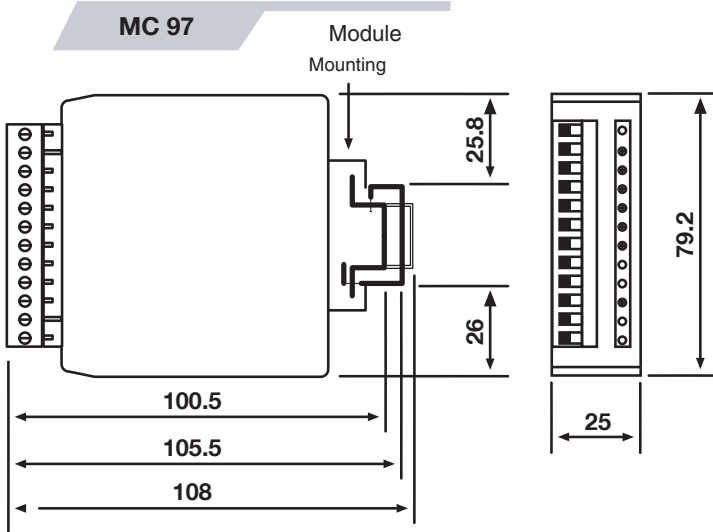
### CE/UL approval

Conforms to Europe's EMC Directive and has UL recognition for use in the U.S.

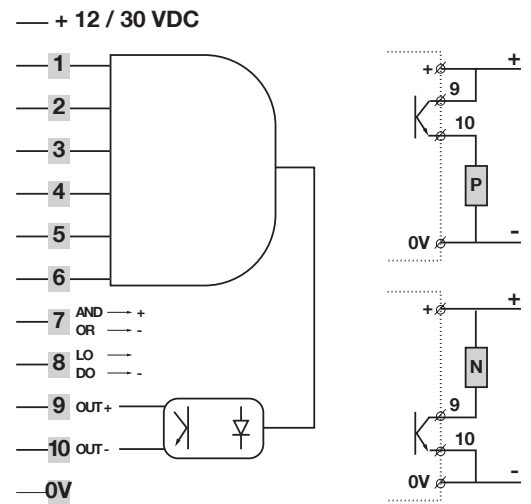
## Specifications

	Logic Control Module
Model Number	<b>MC 97</b>
Sensor inputs	A maximum of 6 sensors / devices
Input Type	PNP output or dry contact
Supply Voltage	12 ~ 30 VDC
Current Consumption	< 100 mA
Output Type	Both NPN and PNP transistor outputs
Output Rating	20 mA
Response time	< 50 microsecond - 330 Hz
Output Operation	Selectable Light On / Dark On operation
Output Protection	Inverse polarity (supply voltage), short-circuit & overload (output)
Ambient Temperature	0 to 50°C
Operation Indicators	Input & Output status
Housing	Plastic
Ratings	CE / UL

## DIMENSIONS (Unit: mm)



## Wiring Connections



**Function "AND"**: terminal #7 and any unused inputs are connected to +V

**Function "OR"**: terminal #7 and any unused inputs are connected to 0V

**Function "LO"**: terminal #8 is connected to +V

**Function "DO"**: terminal #8 is connected to 0V

## Wiring and Programming Functions

LO / DO Terminal 8	And / Or (see Wiring Connect.) Terminal 7	Input terminals						Output
		1	2	3	4	5	6	
1	1	1	1	1	1	1	1	ON
1	1	Any other combination						OFF
0	1	1	1	1	1	1	1	OFF
0	1	Any other combination						ON
1	0	0	0	0	0	0	0	OFF
1	0	Any other combination						ON
0	0	0	0	0	0	0	0	ON
0	0	Any other combination						OFF